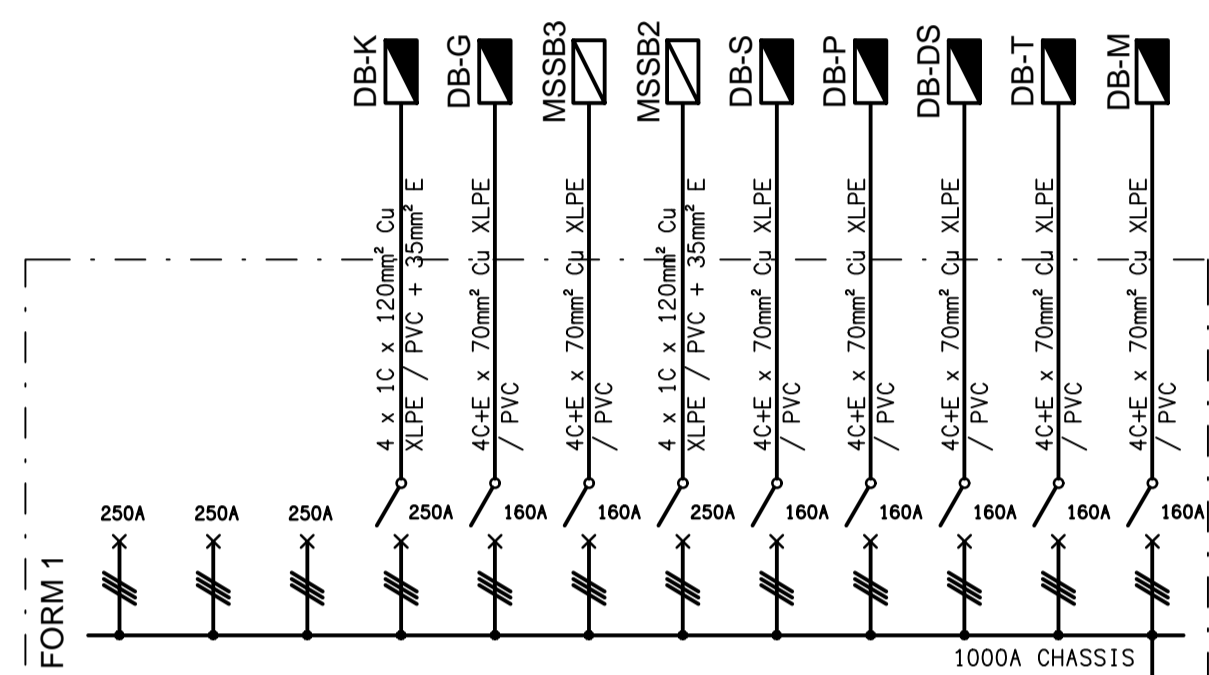
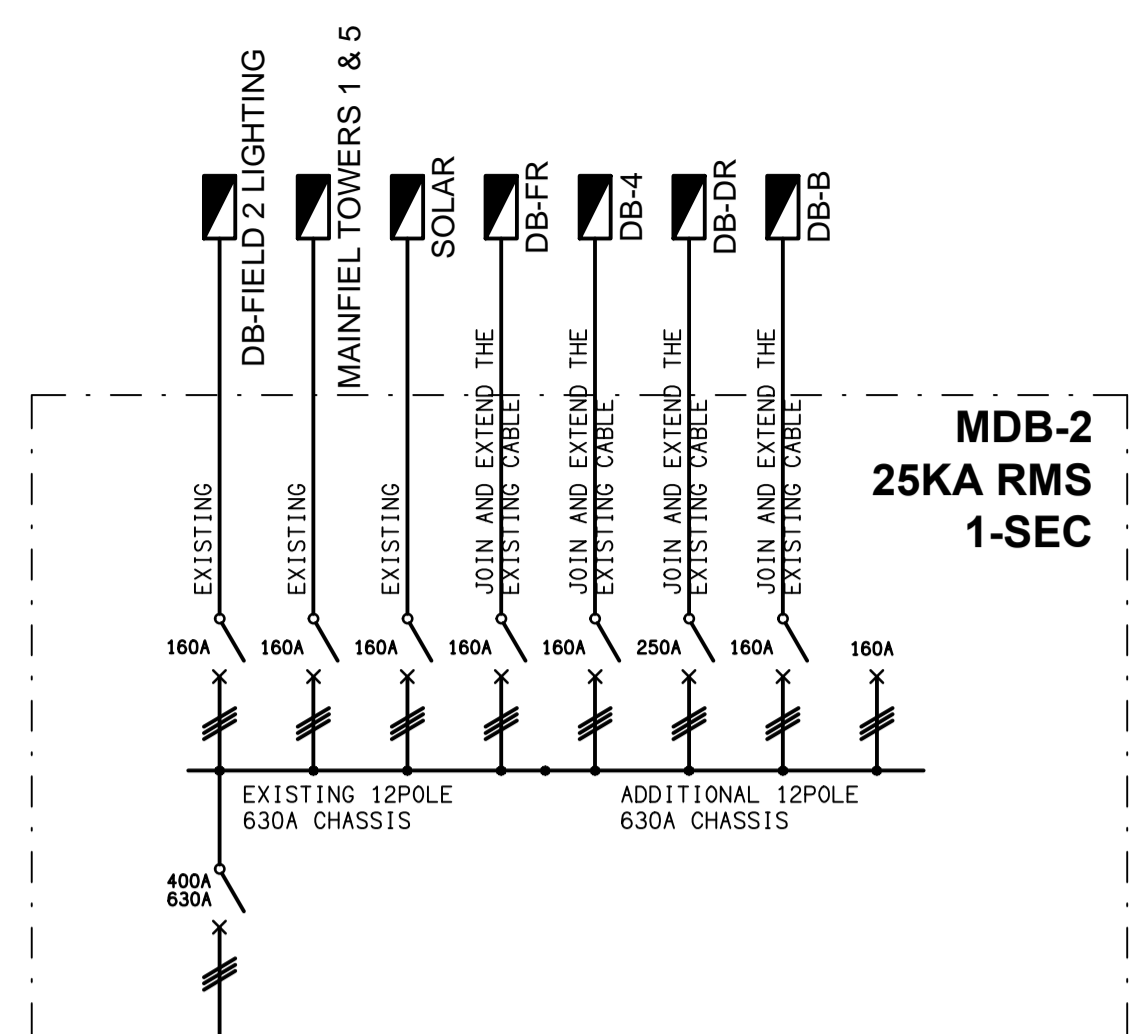


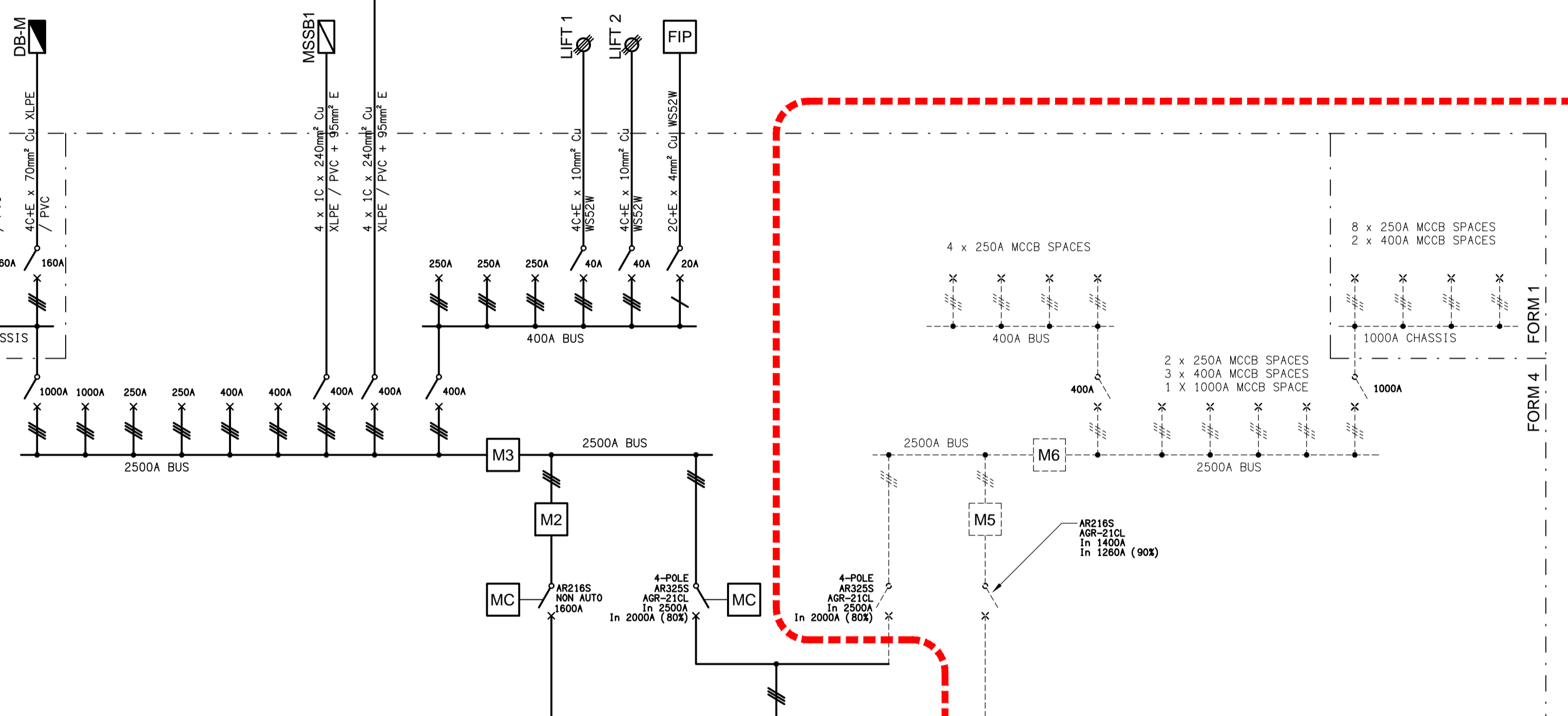
EXISTING POWER SCHEMATIC
NOT TO SCALE



MDB-1
50KA RMS
1-SEC
BUILDING MSB



MDB-2
25KA RMS
1-SEC



PROPOSED POWER SCHEMATIC
NOT TO SCALE

THE COPYRIGHT OF THIS DRAWING REMAINS THE PROPERTY OF THE ELECTRICAL DESIGN GROUP.
USE FIGURED DIMENSIONS IN PREFERENCE TO SCALE.
ALL DIMENSIONS TO BE VERIFIED ONSITE.

ELECTRICAL DESIGN GROUP
ELECTRICAL BUILDING SERVICES CONSULTANTS
BRISBANE GOLD COAST
P.O. Box 15, Sherwood Q.4075
Phone: (07) 3278 4375
Email: brisbane@edg.net.au
Web: www.edg.net.au

PROJECT: **THE LION RICHLANDS - CARPARK UPGRADE**
133 PINE ROAD, RICHLANDS

B	PRELIMINARY	14/02/2025
REV:	DESCRIPTION:	DATE:
DRAWING: ELECTRICAL SERVICES POWER SCHEMATICS		
SCALE: NOT TO SCALE AT A1	PROJECT NO: C3379a	DRAWING NO: E05
		REVISION: B